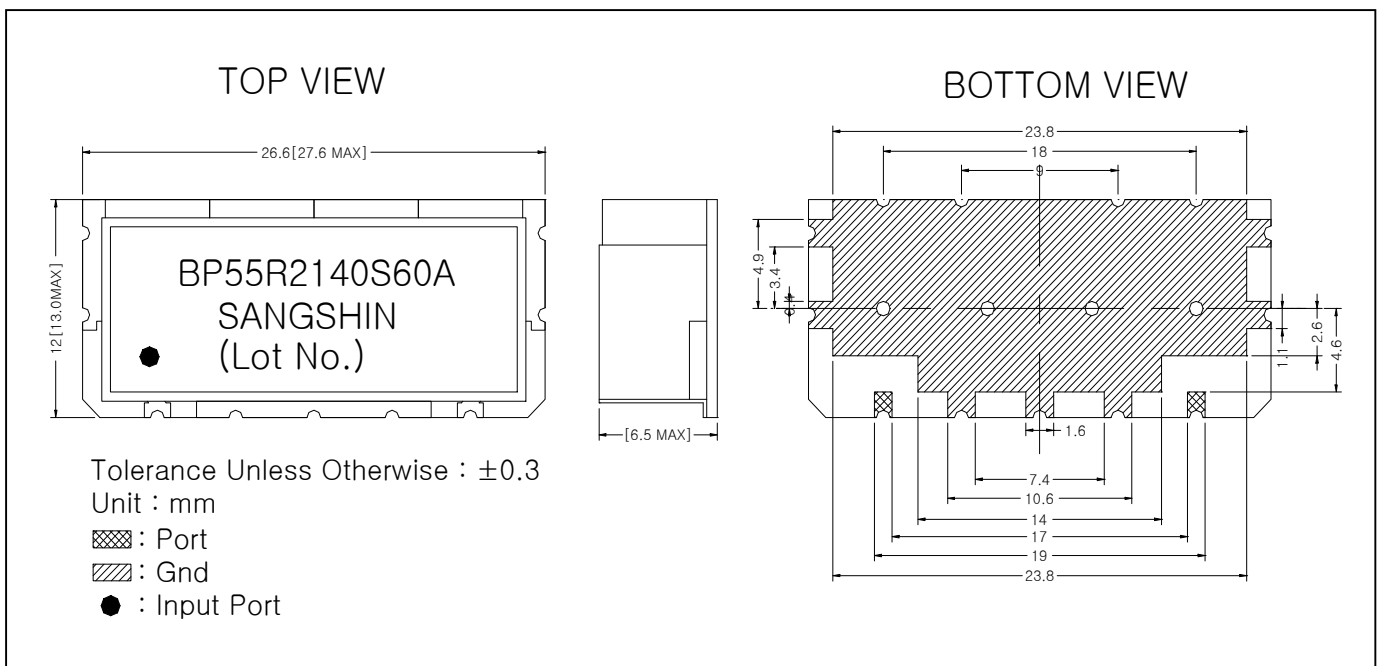


Part No. **BP55R2140S60A**

## 1. Electrical Specifications.

ITEM	Specifications
Center Frequency ( = Fc )	2140 MHz
Pass Band-width (=BW)	60 MHz
I.L in BW	2.5 dB max.
Ripple in BW	0.5 dB max.
Return Loss in BW	20 dB min.
Attenuation	40 dB min. @ 2040 MHz
In/Out Impedance	50 Ω
Input Power	1 W max.
Operation Temperature	-30°C ~ +85°C

## 2. Dimensions.



### 3. Data

