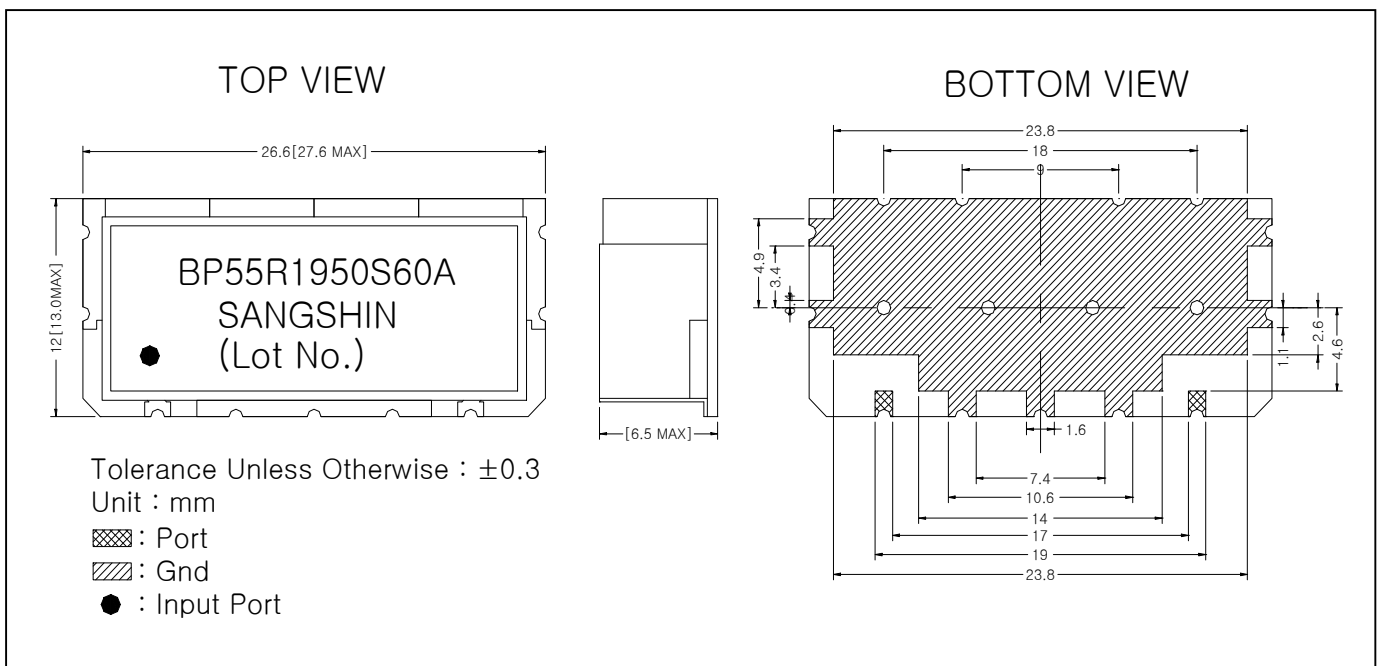


Part No. **BP55R1950S60A**

1. Electrical Specifications.

ITEM	Specifications
Center Frequency (= Fc)	1950 MHz
Pass Band-width (=BW)	60 MHz
I.L in BW	2.5 dB max.
Ripple in BW	1.0 dB max.
Return Loss in BW	20 dB min.
Attenuation	30 dB min. @ 1880 MHz
In/Out Impedance	50 Ω
Input Power	1 W max.
Operation Temperature	-30°C ~ +85°C

2. Dimensions.



3. Data

