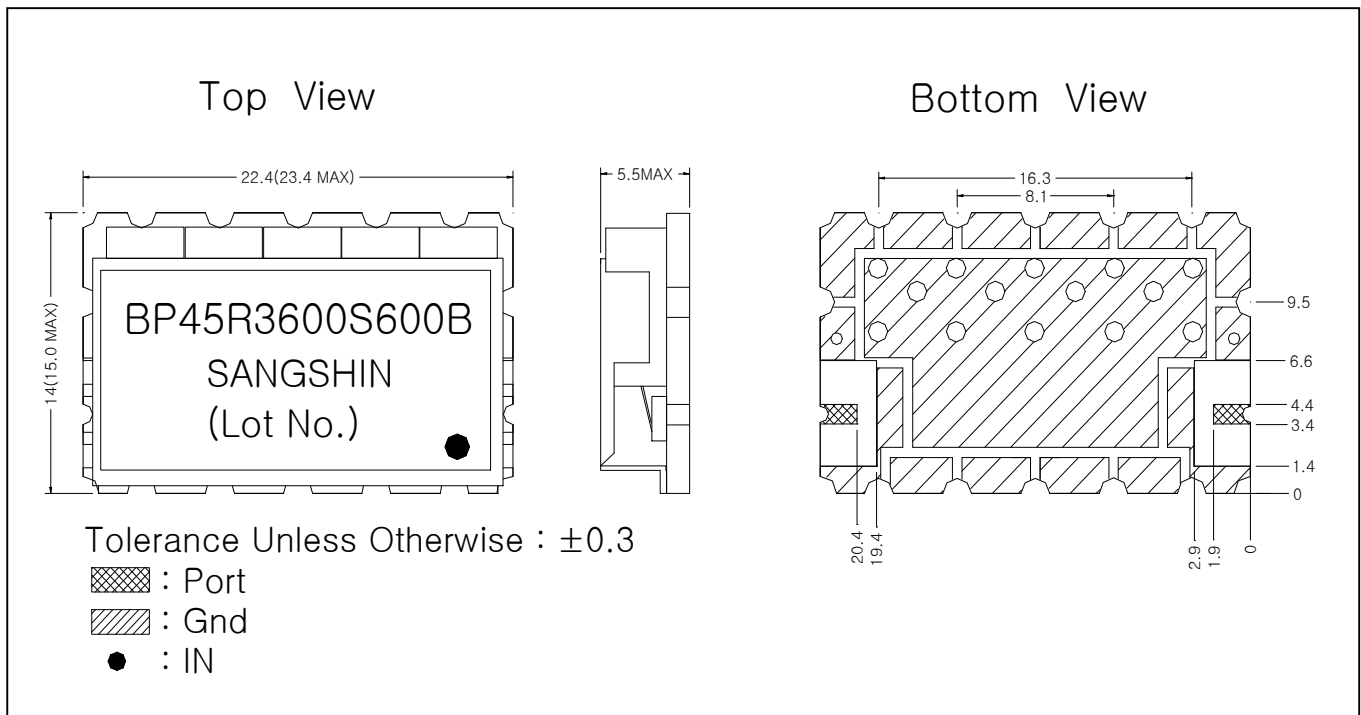


Part No. **BP45R3600S600B**

1. Electrical Specifications.

ITEM	Specifications
Center Frequency (= Fc)	3600 MHz
Pass Band-width (=BW)	600 MHz
I.L in BW	2.5 dB max.
Ripple in BW	1.0 dB max.
V.S.W.R in BW	1.7 max.
Attenuation	30 dB min. @ 4400 MHz
In/Out Impedance	50 Ω
Operation Temperature	-30°C ~ +85°C

2. Dimensions.



3. Data

