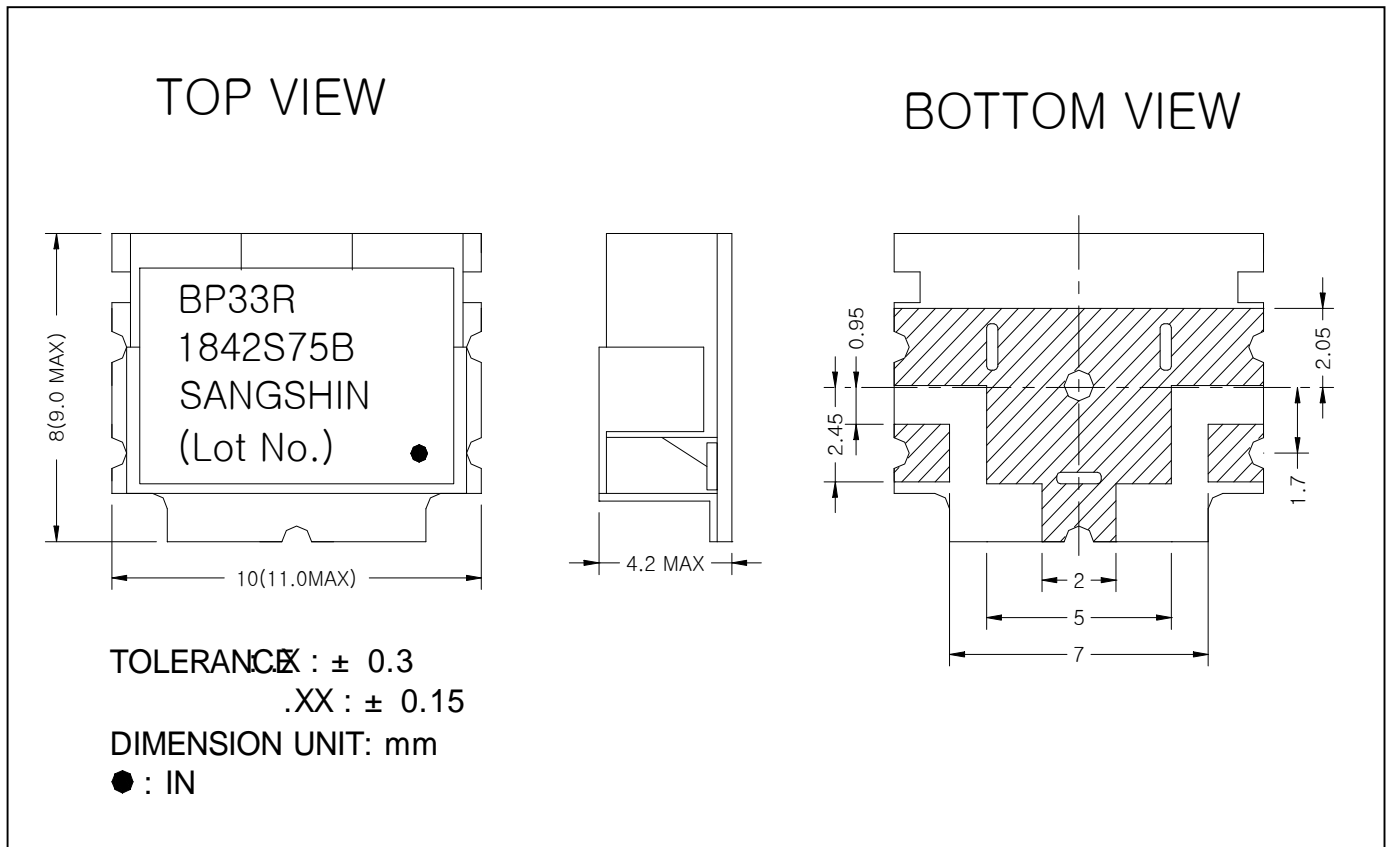


Part No. **BP33R1842S75B**

1. Electrical Specifications.

ITEM	Specifications
Center Frequency (= Fc)	1842.5 MHz
Pass Band-width (=BW)	75 MHz
I.L in BW	2.0 dB max.
Ripple in BW	0.8 dB max.
V.S.W.R in BW	2.0 max.
Attenuation	25 dB min. @ 1685.5 MHz
	8 dB min. @ 1762.5 MHz
	8 dB min. @ 1922.5 MHz
	25 dB min. @ 2002.5 MHz
In/Out Impedance	50 Ω
Operation Temperature	-30°C ~ +85°C

2. Dimensions.



3. Data

