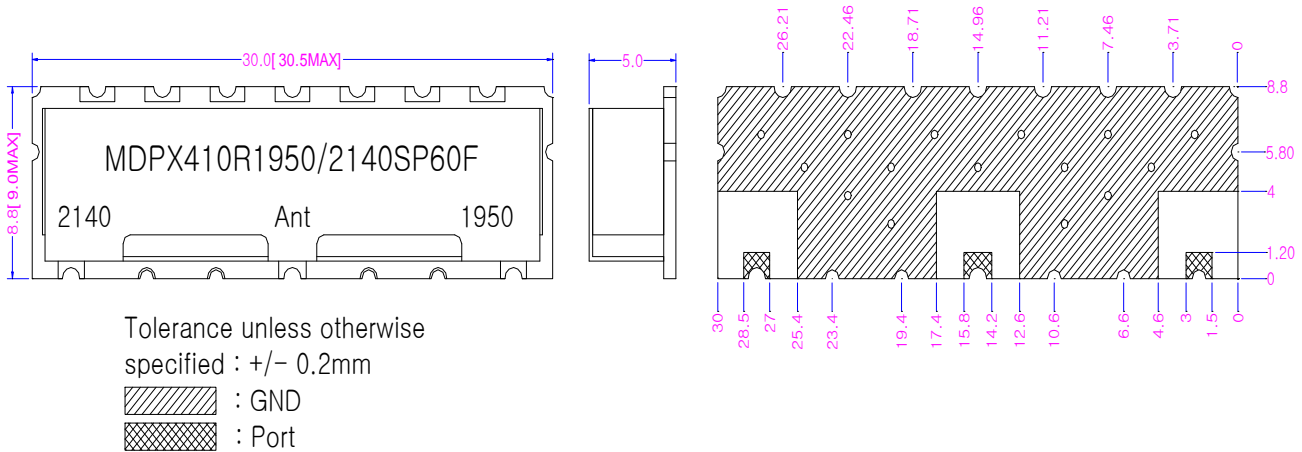


Part No. MDPX410R1950/2140S60F

1. Electrical Specifications.

| ITEM | CH1 | CH2 |
|---------------------------|-----------------------------|------------------------------|
| Center Frequency (= Fc) | 2140 MHz | 1950 MHz |
| Pass Band-width (= BW) | $F_c \pm 30$ MHz | $F_c \pm 30$ MHz |
| I.L in BW | 2.0 dB max. | 2.0 dB max. |
| Ripple in BW | 0.6 dB max. | 0.6 dB max. |
| Return loss in BW | 18 dB min. | 18 dB min. |
| Attenuation | 60 dB min. @ 1920~ 1980 MHz | 60 dB min. @ 2110 ~ 2170 MHz |
| In/Out Impedance | 50 Ω | |
| Maximum Power | 1 W max. | |
| Operation Temperature | -40°C ~ +85°C | |

2. Dimensions.



3. Data.

