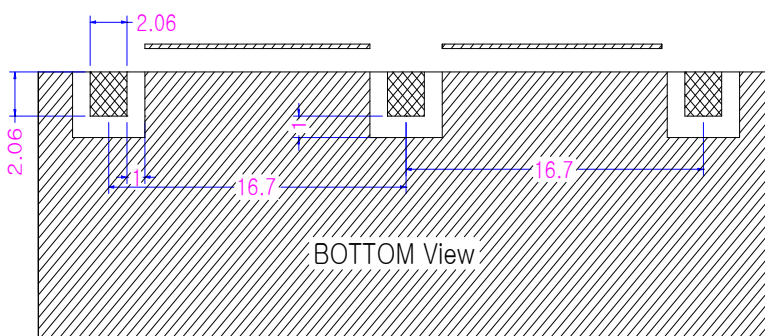
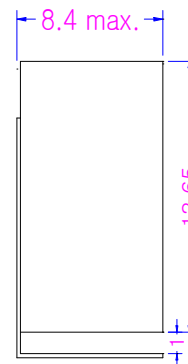
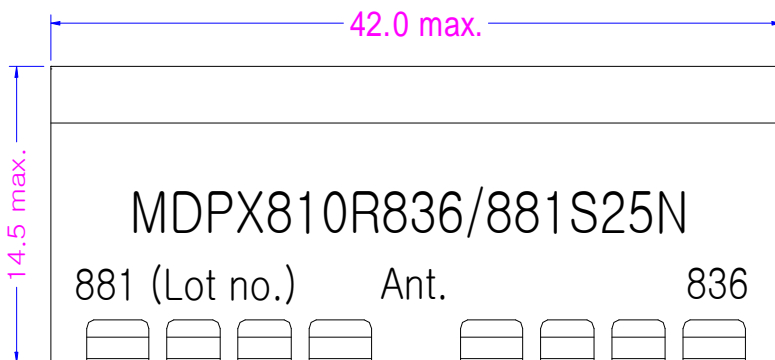


Part No. **MDPX810R836/881S25N**

1. Electrical Specifications.

ITEM	CH1	CH2
Center Frequency (= Fc)	836.5 MHz	881.5 MHz
Pass Band-width (= BW)	Fc ± 12.5 MHz	Fc ±12.5 MHz
I.L in BW	2.0 dB max.	2.0 dB max.
Ripple in BW	0.8 dB max.	0.8 dB max.
Return loss in BW	18 dB min.	18 dB min.
Attenuation	55dB min. @ 869~ 894 MHz	55dB min. @ 824 ~ 849 MHz
In/Out Impedance	50 Ω	
Maximum Power	1 W max.	
Operation Temperature	-40°C ~ +85°C	

2. Dimensions.



Tolerance Unless Otherwise Specified ± 0.2
 Unit:mm

- Port
- GND

3. Data.

