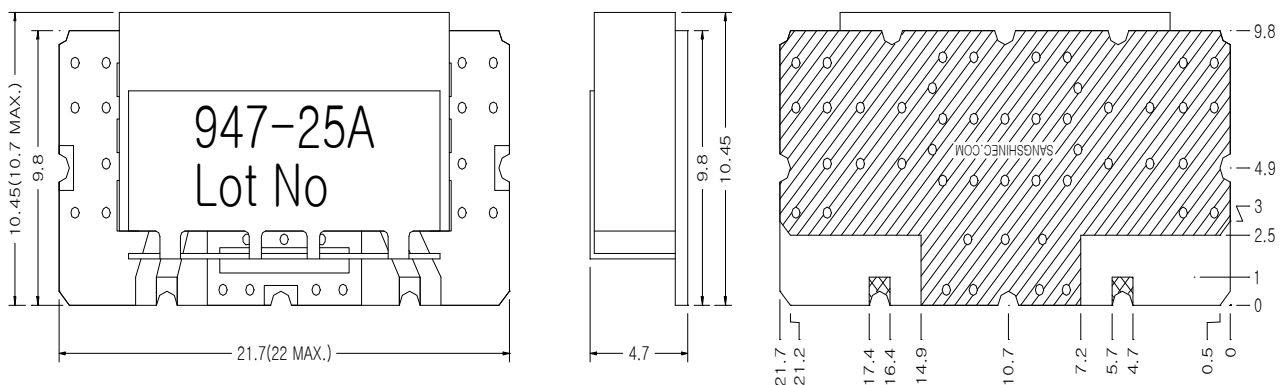


Part No. MBP44RC2N947SP25A

1. Electrical Specifications.

ITEM	Specifications
Center Frequency(= Fc)	947.5 MHz
Pass Band-width (BW)	$F_c \pm 12.5$ MHz
I.L in BW	3.0 dB max.
Ripple in BW	1.0 dB max.
Return Loss in BW	15 dB min.
Attenuation	45 dB min. @ 890 ~ 915 MHz
In/Out Impedance	50 Ω
Maximum Power	W max.
Operation Temperature	-40°C ~ +85°C

2. Dimensions.



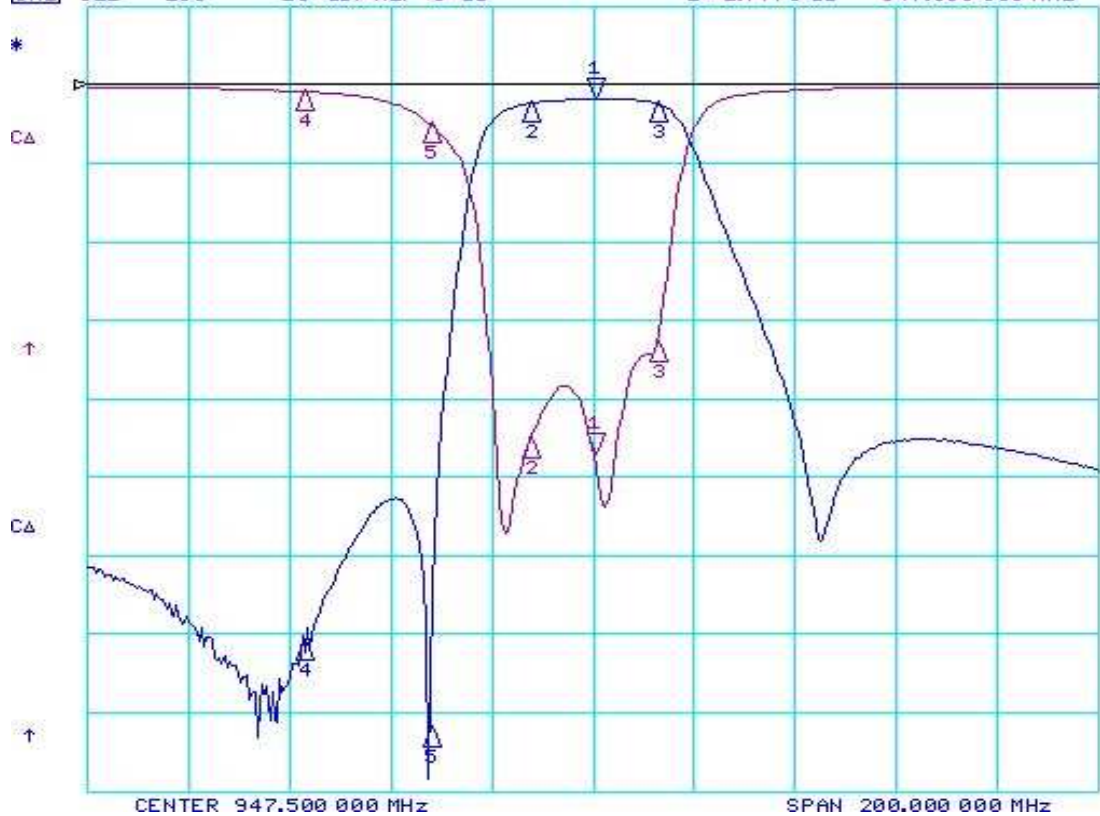
Tolerance Unless Otherwise Specified: +/- 0.2

- : Port
- : GND

3. Data

31 Oct 2008 06:10:15

CH1 S11 LOG 5 dB/REF 0 dB 1:-23.517 dB
 CH2 S21 LOG 10 dB/REF 0 dB 1:-1.7778 dB 947.500 000 MHz



CH1 Markers
 2:-22.599 dB
 935.000 MHz
 3:-16.469 dB
 960.000 MHz
 4:-42.080 dB
 890.000 MHz
 5:-2.4410 dB
 915.000 MHz

CH2 Markers
 2:-2.3473 dB
 935.000 MHz
 3:-2.3481 dB
 960.000 MHz
 4:-70.804 dB
 890.000 MHz
 5:-81.930 dB
 915.000 MHz

31 Oct 2008 06:10:37

CH1 S11 LOG 5 dB/REF 0 dB 3: 6.1363 dB
 CH2 S21 LOG 10 dB/REF 0 dB 3:-.00530 dB 25.000 000 MHz



CH1 Markers
 1:-.87190 dB
 12.5000 MHz
 2: 0.0000 dB
 0.00000 Hz
 4: 22.191 dB
 -45.0000 MHz
 5: 20.170 dB
 -20.0000 MHz

CH2 Markers
 Δ REF=2
 mean:-1.9466 dB
 s.dev: .17490 dB
 p-p: .60040 dB